

## PhotonVacuum™ Beamer LED Series

### Overview

PhotonVacuum™ Beamer LED Series provides incredible brightness performance for the most challenging spot lighting applications. By utilizing Upstream's PhotonVacuum™ light collection and beam forming technology, it enables the maximum performance and superior beam control in the smallest size. Based on the solid state technology, it offers environment friendly low power alternative with long life time.

Beamer LED Series includes white LED and multicolor RGBW LED solutions with excellent color uniformity with smooth spatial light distribution. The modular design allows easy customization for different beam shapes and sizes.



### Features

- Ultra high brightness
- Compact size (75mm x 80mm without case)
- High optical efficiency
- Uniform light distribution
- White LED solutions with high lm/W efficiency
- RGBW LED solutions with color mixing
- Modular design for different beam shapes
- Optional beam zooming functionality

### Applications

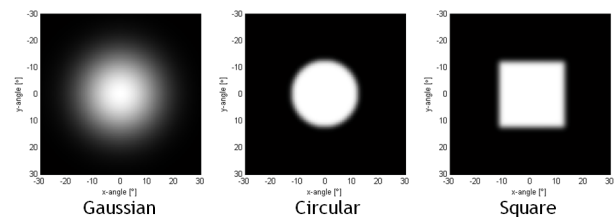
- Architectural lighting
- Entertainment lighting
- Spot lighting
- Medical lighting
- Machine vision illumination
- Optical measurement systems

### Optical Performance

Beamer LED Series models:

Model	Color	Beam angle	Power	Luminous flux
PV_BLED90	White	8-10° FWHM	10-33W	1000-2250lm
PV_BLED360	White	20° FWHM	40-125W	3600-6250lm
PV_CMLED160	RGBW	10° FWHM	15-30W	700-1300lm

Examples of alternative beam shapes:



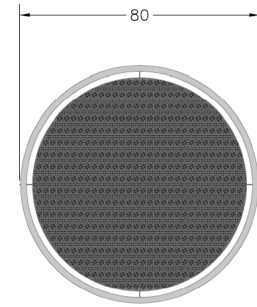
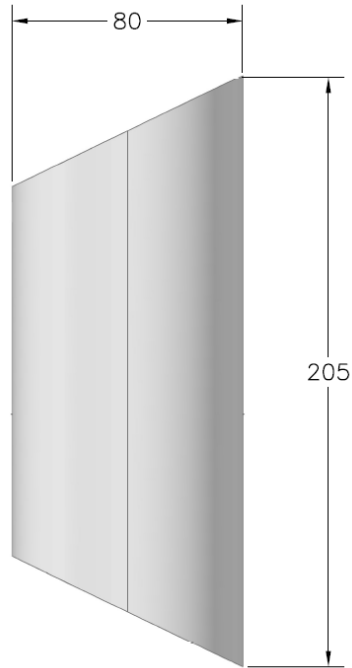
**Contact Information**  
Upstream Engineering Inc.  
Kiilakiventie 1  
FI-90250 Oulu, FINLAND

Tel: +358 40 5333432  
Fax: +358 8 311 5544  
Email: sales@upstream.fi  
Web: www.upstream.fi

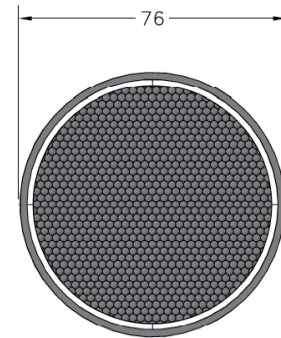
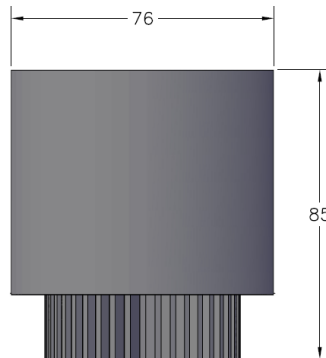
#### Important Notice

Performance figures, data and any illustrative material provided in this data sheet are typical and must be specifically confirmed by Upstream before they become applicable to any particular order or contract. In accordance with the Upstream policy of continuous improvement specifications may change without notice. The publication of information in this data sheet does not imply freedom from patent or other protective rights of Upstream or others.

## Dimensions with case



## Dimensions without case



**Contact Information**  
Upstream Engineering Inc.  
Kiilakiventie 1  
FI-90250 Oulu, FINLAND

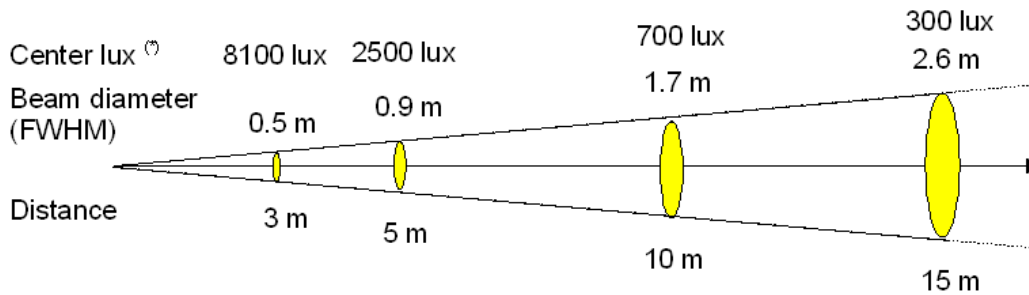
Tel: +358 40 5333432  
Fax: +358 8 311 5544  
Email: [sales@upstream.fi](mailto:sales@upstream.fi)  
Web: [www.upstream.fi](http://www.upstream.fi)

### Important Notice

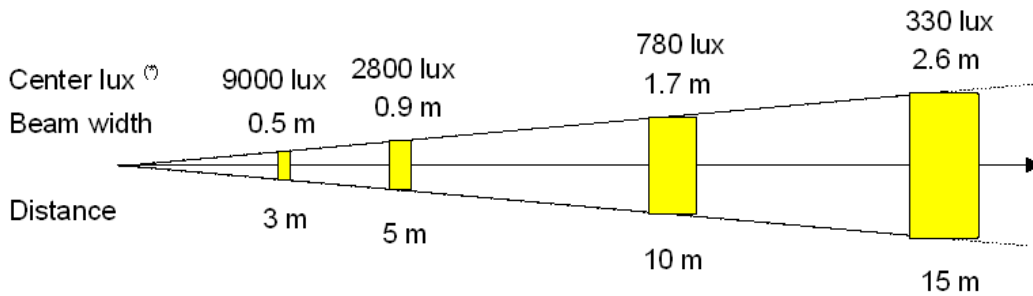
Performance figures, data and any illustrative material provided in this data sheet are typical and must be specifically confirmed by Upstream before they become applicable to any particular order or contract. In accordance with the Upstream policy of continuous improvement specifications may change without notice. The publication of information in this data sheet does not imply freedom from patent or other protective rights of Upstream or others.

## PV\_BLED90, 10° FWHM beam characteristics

### Gaussian beam



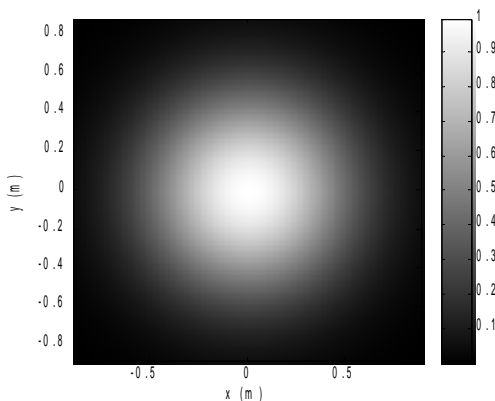
### Square beam



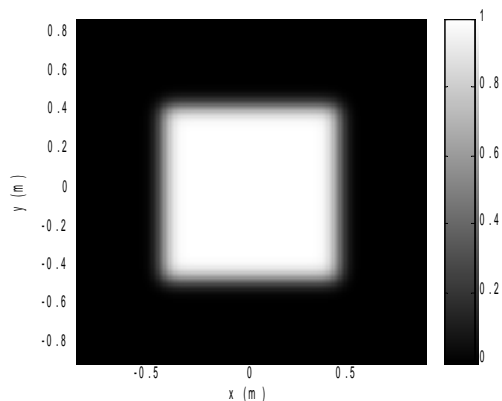
(\* Lux at the center of the beam and 6500K colour temperature)

### Beam cross-section at 5 m distance

#### Gaussian beam



#### Square beam



**Contact Information**  
Upstream Engineering Inc.  
Kiilakiventie 1  
FI-90250 Oulu, FINLAND

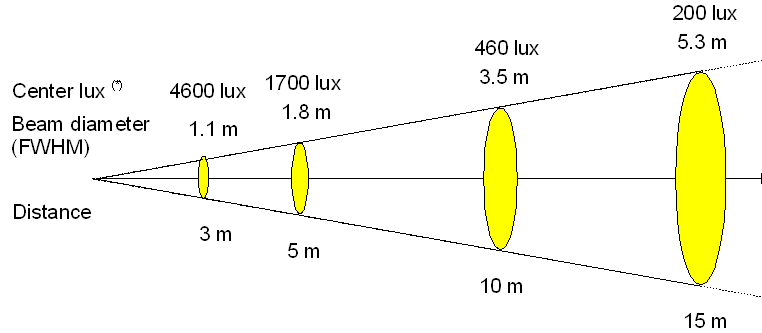
Tel: +358 40 5333432  
Fax: +358 8 311 5544  
Email: [sales@upstream.fi](mailto:sales@upstream.fi)  
Web: [www.upstream.fi](http://www.upstream.fi)

#### Important Notice

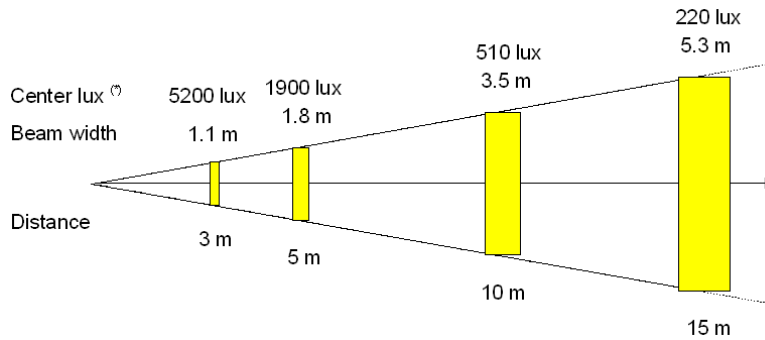
Performance figures, data and any illustrative material provided in this data sheet are typical and must be specifically confirmed by Upstream before they become applicable to any particular order or contract. In accordance with the Upstream policy of continuous improvement specifications may change without notice. The publication of information in this data sheet does not imply freedom from patent or other protective rights of Upstream or others.

## PV\_BLED360, 20° FWHM beam characteristics

### Gaussian beam



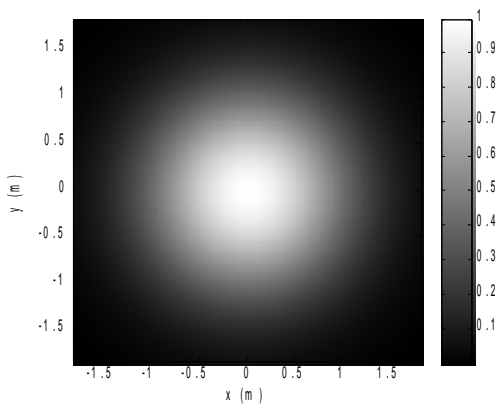
### Square beam



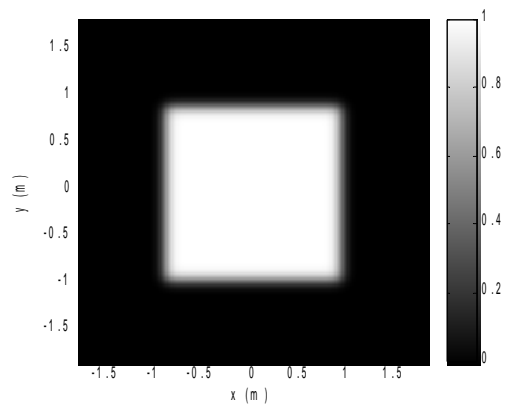
(\*) Lux at the center of the beam and 6500K colour temperature

### Beam cross-section at 5 m distance

#### Gaussian beam



#### Square beam



**Contact Information**  
Upstream Engineering Inc.  
Kiilakiventie 1  
FI-90250 Oulu, FINLAND

Tel: +358 40 5333432  
Fax: +358 8 311 5544  
Email: [sales@upstream.fi](mailto:sales@upstream.fi)  
Web: [www.upstream.fi](http://www.upstream.fi)

#### Important Notice

Performance figures, data and any illustrative material provided in this data sheet are typical and must be specifically confirmed by Upstream before they become applicable to any particular order or contract. In accordance with the Upstream policy of continuous improvement specifications may change without notice. The publication of information in this data sheet does not imply freedom from patent or other protective rights of Upstream or others.